

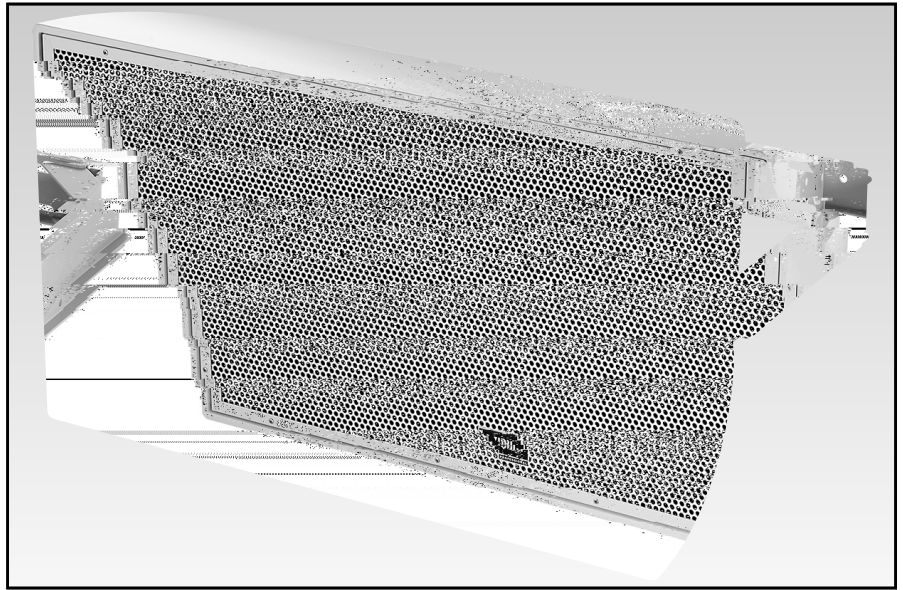


# AW566-LS High Power 2-Way All Weather Loudspeaker with 1 x 15" LF & Rotatable Horn

Professional Series

## Key Features:

- ▶ 15" LF driver with 16-ounce magnet
- ▶ 54-24" rotatable horn
- ▶ 60° x 60° beam spread
- ▶ 2265.H 380W
- ▶ 2432.H.H 380W
- ▶ 16-ounce magnet
- ▶ 400 Hz, 70/100 Hz
- ▶ 1/2" thick

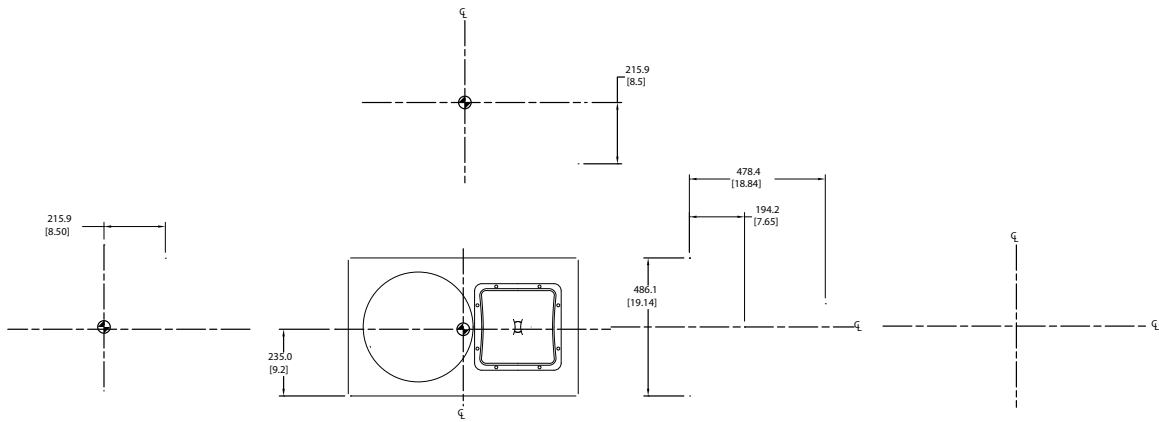


## Applications:

- ▶ 15" LF driver with 16-ounce magnet
- ▶ 54-24" rotatable horn
- ▶ 60° x 60° beam spread
- ▶ 2265.H 380W
- ▶ 2432.H.H 380W
- ▶ 16-ounce magnet
- ▶ 400 Hz, 70/100 Hz
- ▶ 1/2" thick

## Specifications:

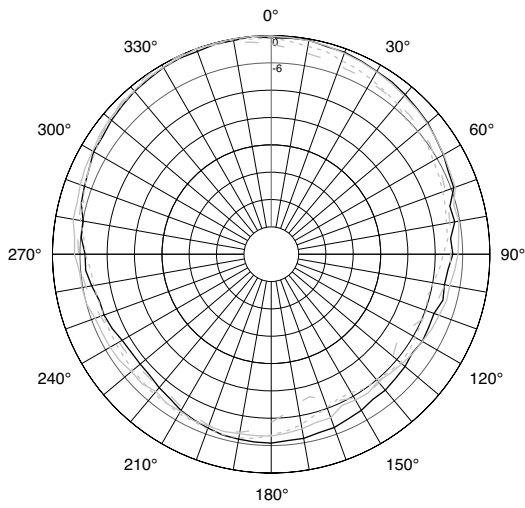
System:				
Impedance (Nominal)	42 Ω	20 Ω		
Impedance (Minimum)	89 Ω	18 Ω		
Power Handling (RMS)	60 W	60 W		
Power Handling (Peak)	500 W	1000 W	2000 W	4000 W
Frequency Response (LF)	139 Hz	111 Hz	78 Hz	70 Hz
Frequency Response (HF)	93 Hz	91 Hz	64 Hz	52 Hz
Beam Spread (LF)	15.8°			
Beam Spread (HF)	12°			
Beam Spread (Total)	1.1 H			
Directivity Index (LF)	400	(1600)	(100)	
Directivity Index (HF)	127	(133)		
Directivity Index (Total)	114.24			
Mounting (LF)	100			
Mounting (HF)	89.6			
Mounting (Total)	70 : 400 : 200 : 100			
Mounting (Total)	100 : 400 : 200			
Transducers:				
LF Driver	1	2265.H 380	(15°)	75
HF Driver	3			
Beam Spread (LF)	8			
Beam Spread (HF)	98			
Beam Spread (Total)	2432.H 380			
Beam Spread (LF)	(15°)			
Beam Spread (HF)	75 (3°)			
Beam Spread (Total)	8			
Beam Spread (Total)	113			
Beam Spread (Total)	-H66H-1			
Physical:				
Weight (LF)	420			
Weight (HF)	2			
Weight (Total)	1			
Weight (Total)	16			
Weight (Total)	5.2			
Weight (Total)	9 (375)			
Weight (Total)	55			
Weight (Total)	529			
Weight (Total)	485			
Weight (Total)	810			
Weight (Total)	478			
Weight (Total)	(19.1)			
Weight (Total)	31.9			
Weight (Total)	18.8			
Weight (Total)	28.3			
Weight (Total)	(62.5)			
Weight (Total)	6			
Weight (Total)	100			
Weight (Total)	54-24			
Weight (Total)	70 / 400 (35)			
Weight (Total)	70			
Weight (Total)	100 / 400 (50)			
Weight (Total)	100			



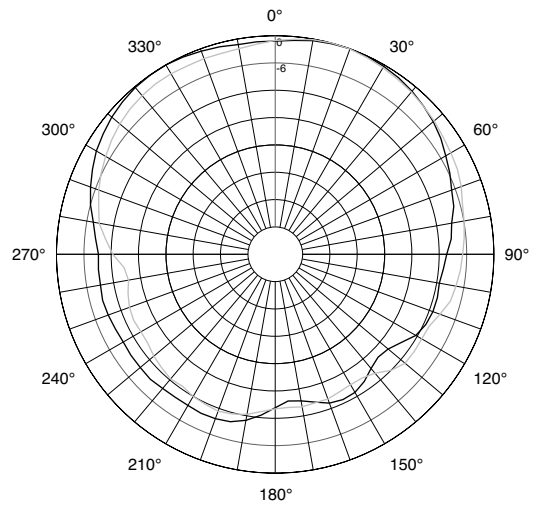
INDICATED DIMENSIONS ARE TO CENTER OF GRAVITY (CG)



### Horizontal 1/3 Octave Polars



— 200 Hz  
— 250 Hz  
- - - 315 Hz  
- - - 400 Hz



— 500 Hz  
— 630 Hz

► AW566-LS High Power 2-Way All Weather Loudspeaker with 15" LF & Rotatable HF

Vertical 1/2 Octave Power

